



EL SERIES

AIR OPERATED DIAPHRAGM PUMPS

PRODUCT OVERVIEW

The new EL Series of Air Operated Diaphragm Pumps from Alemlobe are ideal for transferring and dispensing oil, diesel, waste oil, antifreeze, petrol, wastewater, industrial sludge and compatible chemicals. The DP71015 poly model is also ideal for handling AdBlue®.

Manufactured with PTFE diaphragms & balls, the EL Series diaphragm pumps are designed to be compatible & handle more fluids than other entry level diaphragm pump. Compact, lightweight, and yet built to last.

CE approved & compliant to ISO9001 Standards and with two major repair kits available, the pump can be used in a wide variety of industries and applications.



KEY FEATURES

- **Energy efficient**
Minimal air required
- **Multi-fluid use**
Suitable for oil, diesel, waste oil and more
- **Quiet operation**
Low workplace noise
- **Fluid resistant**
Built for harsh fluids with PTFE diaphragms & balls
- **Compact & lightweight**
Easy to move and install
- **Low maintenance**
Less downtime with 2 major repair kits readily available

PRODUCT SPECIFICATIONS



DP71015

EL Series 1/2" Air Operated Diaphragm Pump



DP71020

EL Series 3/4" Air Operated Diaphragm Pump



DP71025

EL Series 1" Air Operated Diaphragm Pump



DP71040

EL Series 1-1/2" Air Operated Diaphragm Pump



DP71050

EL Series 2" Air Operated Diaphragm Pump



DP71080

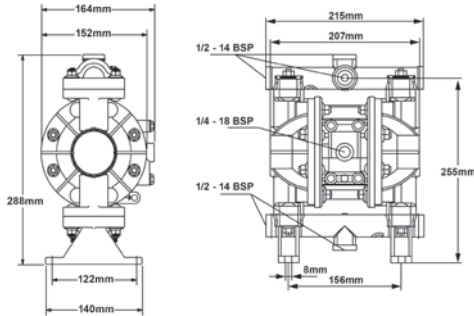
EL Series 3" Air Operated Diaphragm Pump

| PRODUCT NO. | FLOW RATES | OPERATING PRESSURE | DELIVERY PER CYCLE | AIR INLET | INLET/OUTLET FLUID | MAXIMUM SUSPENDED SOLIDS DIAMETER | BODY | DIAPHRAGMS + BALLS |
|-------------|------------|--------------------|--------------------|-----------|--------------------|-----------------------------------|---------------|--------------------|
| DP71015 | 49L/min | 100psi (6.9bar) | 150ml | 1/4" BSPF | 1/2" BSPF | 2.4mm | Polypropylene | PTFE (Teflon) |
| DP71020 | 57L/min | 120psi (8.3bar) | 150ml | 1/4" BSPF | 3/4" BSPF | 2.4mm | Aluminium | PTFE (Teflon) |
| DP71025 | 133L/min | 120psi (8.3bar) | 600ml | 1/4" BSPF | 1" BSPF | 3.2mm | Aluminium | PTFE (Teflon) |
| DP71040 | 340L/min | 120psi (8.3bar) | 2.4L | 1/2" BSPF | 1-1/2" BSPF | 6.4mm | Aluminium | PTFE (Teflon) |
| DP71050 | 758L/min | 125psi (8.6bar) | 1.7L | 3/4" BSPF | 2" BSPF | 6.4mm | Aluminium | PTFE (Teflon) |
| DP71080 | 897L/min | 120psi (8.3bar) | 10.03L | 3/4" BSPF | 3" BSPF | 9.5mm | Aluminium | PTFE (Teflon) |

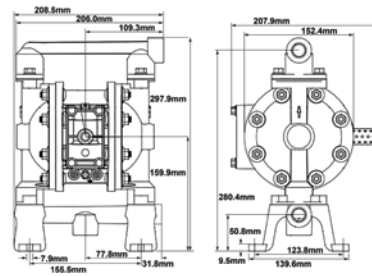
DIMENSIONS

See Product Information sheet for further details

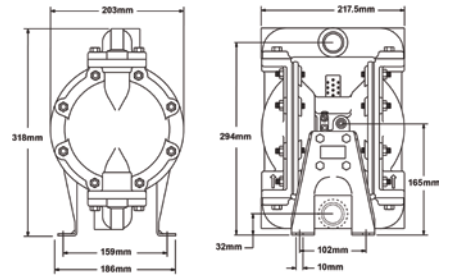
DP71015



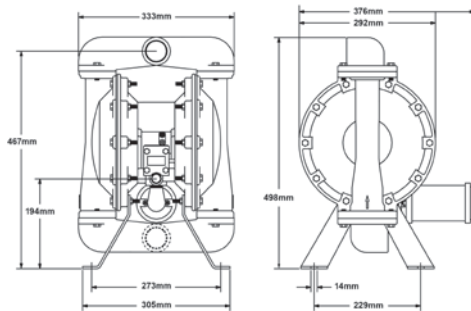
DP71020



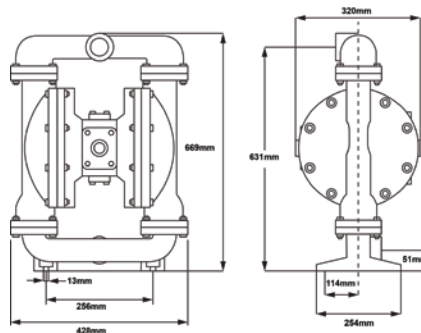
DP71025



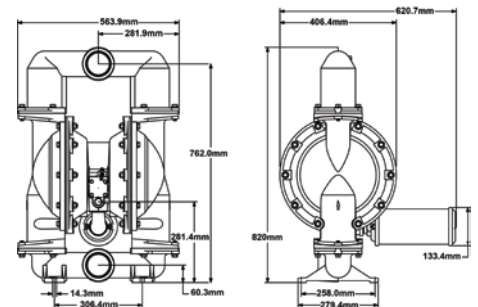
DP71040



DP71050



DP71080



NSW/ACT (02) 9677 1555
WA (08) 9302 4199

QLD/PNG (07) 3491 2600
SA/NT (08) 8241 7111

VIC/TAS (03) 8787 8288
NZ (09) 447 1007

www.alemlube.com.au
www.alemlube.co.nz

